
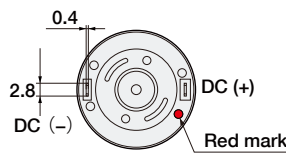
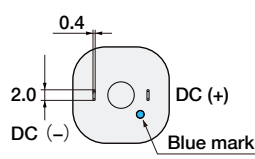


DC Brush Motor & Gear

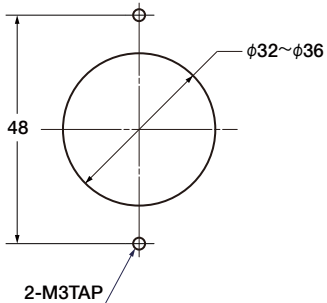
12 or 24VDC Brush Motor



■ **Motor wiring and terminal dimensions diagrams**

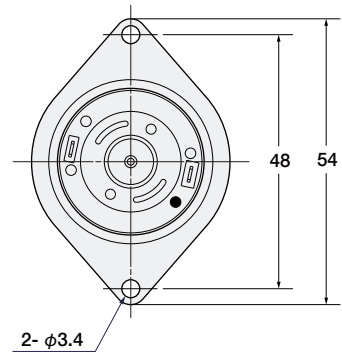
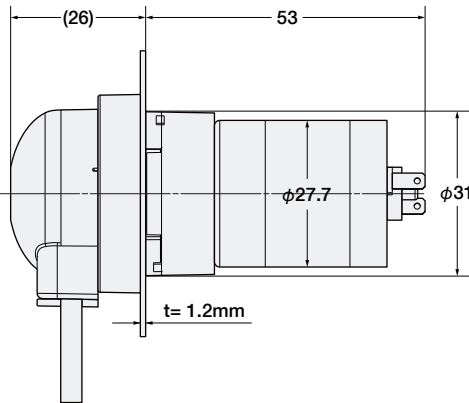
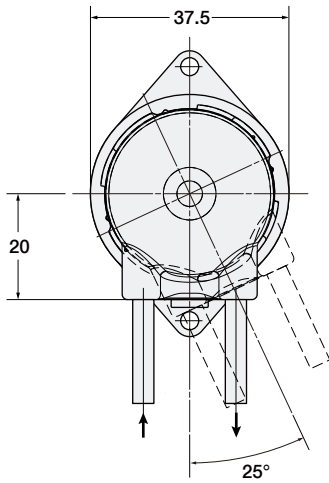
■ **Cutting hole dimensions**



WPM□ - □AA - □P

WPM□ - □BA - □P

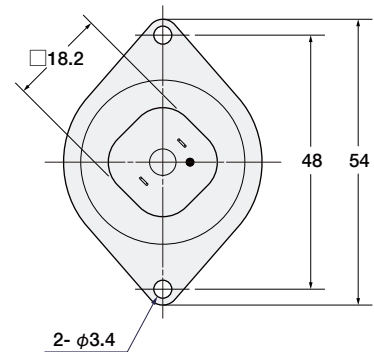
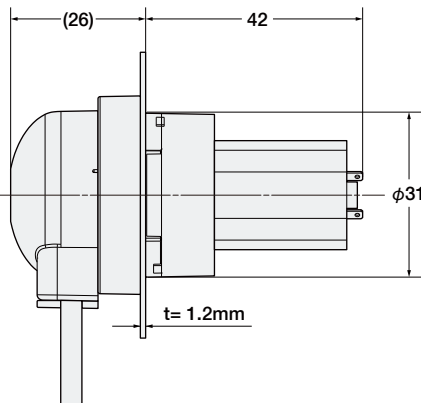
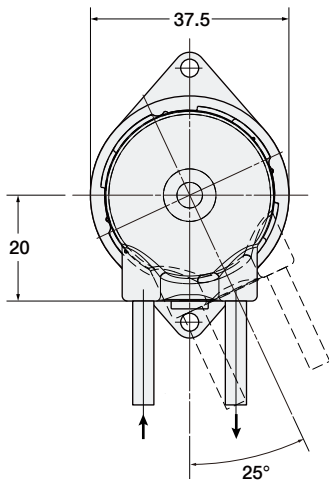
12 or 24VDC Brush Motor



Weight: 83g

WPM□ - □CA - □P

12VDC Compact Brush Motor



Weight: 67g